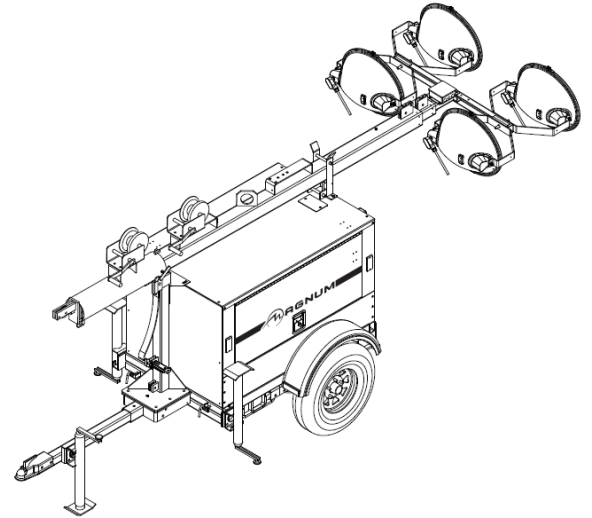


## Magnum Light Tower – MLT3060 Specifications

### ENGINE

Mitsubishi® L3E-W461ML - liquid cooled, diesel engine

- Standby - 12.2 hp @ 1800 rpm
- Prime - 10.5 hp @ 1800 rpm
- 3 cylinder
- 0.95 L displacement
- Fuel consumption (prime) – 0.50 gph (1.89 Lph)
- 60 Hz engine/generator
- Industrial engine exhaust system
- Rubber vibration dampers isolate engine/generator from frame
- Cooling system capable of operating at 120°F ambient
- Full flow oil filter, spin on type
- Fuel filter with replaceable element
- Dry type cartridge air filter
- Polyethylene fuel tank with large diameter opening
  - 30 gal. capacity
  - 60 hr. run capacity
  - 3 ½" fill port



### ENGINE CONTROLS

- Engraved, aluminum punched and anodized control panel
- Four position keyed switch – glow plugs (preheat, off, run, start)
- Hour meter
- Automatic low oil/high temperature shutdown system

### GENERATOR

- Marathon Electric®
  - Brushless
- 6 kW standby output
- 120/240 VAC – 50/25A
- +/-6% capacitor voltage regulation

### ELECTRICAL SYSTEM AND CONTROLS

- Individual floodlight circuits with 15A breakers
- Ballast indicator lights
- 30A start limit breaker (assures no load condition exists before starting)
- Standard individually breakered convenience outlets:
  - (1) 120 VAC 20 Amp GFCI duplex outlets (Nema 5-20R type)
  - (1) 240 VAC 30 Amp twistlock outlets (Nema L6-30R type)
- 440 CCA wet cell battery

## FLOODLIGHTS

- Four light fixtures – 1000 watts each - metal halide
- Oval aluminum reflector
- Tempered glass lens
- Silicone gaskets for moisture and dust protection
- Individual floodlight On/Off switches

## WIRING

- All wiring is sized to the amperage draw required
- AC & DC wiring diagrams are provided

## MAST

- 30' maximum extension, 3-section, tubular steel
- Urethane guides on all sides of mast tubes
- Industrial black powder coat finish
- Automatic locking system in horizontal position for travel
- 1500 lb. automatic self-braking winches
- 360° rotation with locking system
- Coiled mast cord
- Dual winch system located at ergonomic height allowing single person operation
- Equipped with single lifting eye and fork pockets

## ENCLOSURE

- Steel enclosure – 14-gauge
  - UV& fade resistant, high temperature cured, white polyester powder paint
  - 68 dB(A) at 23 feet – prime power
- Stainless steel hinges on doors
- Multi-lingual operating/safety decals
- License plate holder with light
- Manual holder with operating manual

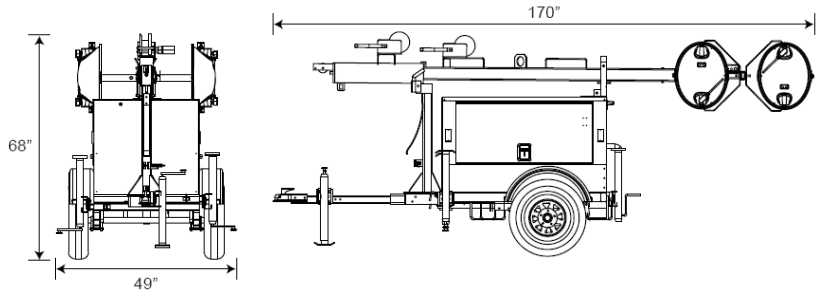
## TRAILER

- Mast support - 3" square tube, 1/4" wall
- Removable tongue - 48" long
- Tubular steel frame - 3/16" wall
- Four, 2000 lb. adjustable leveling jacks – 4 point stance
- All jacks transport and lock in horizontal position for storage
- Side outriggers - 8' 1/4" span
- Safety chains with spring loaded safety hooks
- 2" ball hitch
- Single wall polyethylene fenders
- DOT approved tail, side, brake, and directional lights
  - Recessed rear lights
- 2200 lb. leaf spring axle
- ST175/80D13 – 6 ply
- 40.75 in. axle span



## WEIGHTS & DIMENSIONS

- Dry weight: 1657 lbs (752 kg)
- Operating weight: 1870 lbs (848 kg)
- Mast stowed: 170 x 49 x 68 in (4.32 x 1.25 x 1.73 m)



## WARRANTY

- Engine and generator covered under OEM warranty – consult factory for details.

## CERTIFICATIONS

- CSA certified

---

## MLT3060 Options

### COOLANT OPTIONS

- ◆ 60/40 Coolant, 60% Ethylene glycol

### ENGINE OPTIONS

- ◆ Heated fuel filter
- ◆ Oil drain valve kit
- ◆ Lower radiator hose – engine heater

### ELECTRICAL CONTROLS OPTIONS

- ◆ 720 CCA wet cell battery
- ◆ 720 CCA gel cell battery
- ◆ 775 sealed AGM battery
- ◆ Battery disconnect
- ◆ Battery charger – 2A trickle
- ◆ Autolight controller

### CABINET OPTIONS

- ◆ Interior cabinet light
- ◆ Level indicator

### HITCH OPTIONS

- ◆ 2.5” lunette ring
- ◆ 3” lunette ring
- ◆ 3” HD lunette ring
- ◆ 2 5/16” ball
- ◆ Combination hitch – 2.5” lunette ring / 2” ball



## **TRAILER OPTIONS**

- ◆ Tube and sleeve jack
- ◆ 6 pin or 7 spade connectors
- ◆ Spare tire and carrier

## **LIGHT OPTIONS**

- ◆ Tubelight™ Diffused Light accessory
- ◆ High pressure sodium, quick disconnect lights

## **MAST CORD OPTIONS**

- ◆ Drape cord

## **MAST, WINCH, & FINISH OPTIONS**

- ◆ Galvanized, manual, dual winch
- ◆ Galvanized, electric, dual winch
- ◆ Galvanized, electric, dual winch, quick disconnect
- ◆ Black, electric, dual winch
- ◆ Black, electric, dual winch, quick disconnect

